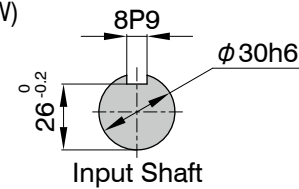
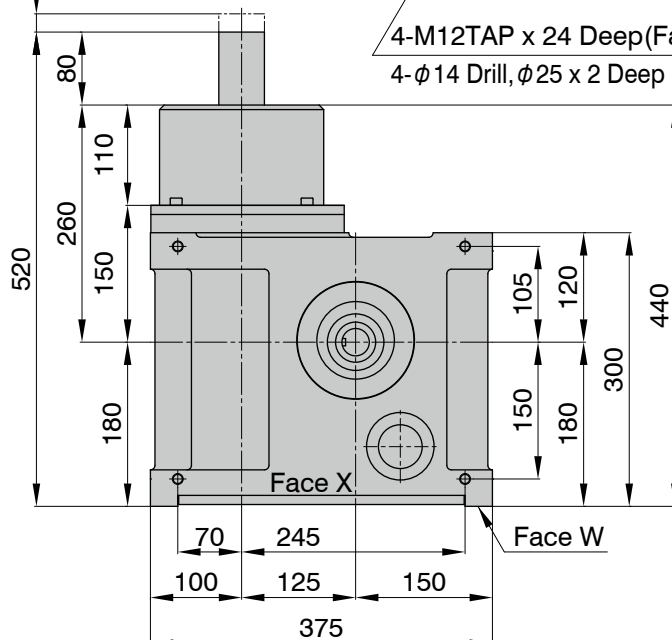
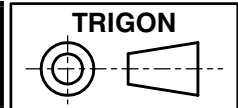


4-M12TAP x 24 Deep(Face U)  
4- $\phi 14$  Drill,  $\phi 25$  x 2 Deep Spot Facing(Face W)



The keyway position of the input shaft in the drawing suggests the center of dwell period.



### Additional Information

Filler, Drain	Rc3/8
Level	$\phi 30$
Rough Product Weight	150kg
Rough Lubricating Oil Capacity	12 Liters
Mounting Tapped Holes	Machined at Face U, W and specified faces

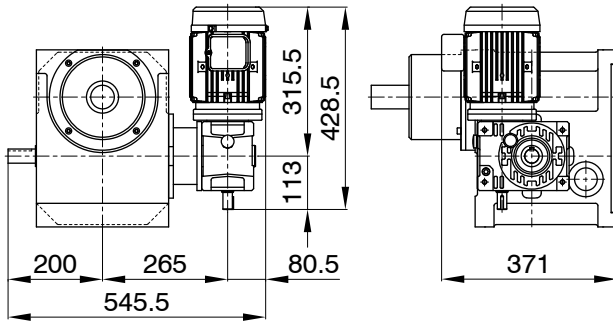
**Allowable Live Load Table (N)**

Lift Stroke Sh(mm)	Index Angle $\alpha$ (deg)	Allowable Live Load Wc (N)				Internal Load Wa (N)	Lift Stroke Sh(mm)	Index Angle $\alpha$ (deg)	Allowable Live Load Wc (N)				Internal Load Wa (N)		
		Rotation Sppeed of Input (rpm)							Rotation Sppeed of Input (rpm)						
		30	40	50	60				30	40	50	60			
55	45	1152.0	821.9	590.8	429.0	65.9	30	30	1094.7	756.5	528.9	374.8	65.9		
	60	1369.1	1059.6	821.1	638.2			45	1411.1	1097.0	853.8	666.4			
50	45	1198.6	868.1	632.4	464.8		20	30	1275.6	939.3	694.8	517.9			
	60	1407.3	1102.0	863.8	678.6			45	1536.0	1248.3	1016.0	827.4			
								60	1653.8	1407.3	1203.6	1030.4			
40	30	951.7	625.9	419.2	285.5										
	45	1299.3	972.5	730.1	551.4										
	60	1485.7	1192.9	958.8	771.4										

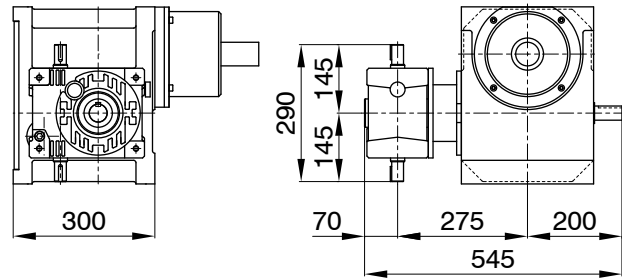
# PPI/PPO-125

# Mounting Examples of Optional Parts

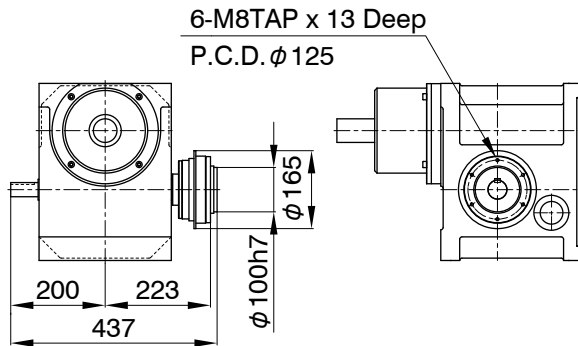
PPI/PPO-125  
MRA1Y-07-63



PPI/PPO-125  
RA2X-80



PPI/PPO-125  
TY-324



## Additional Notes

- MA series worm reducer MAO63 and 80 can be mounted.
- Mounting positions of a drive unit is standardized as 16 different pattern.
- MYTORQ torque limiter 300 series can be mounted.
- Autoflex couplings can be mounted.
- Autogard torque limiter 400 series or Autoflex couplings can be mounted on the input shafts of a worm reducer.