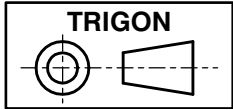


The keyway position of the input shaft in the drawing suggests the center of dwell period.



Additional Information	
Filler, Drain	Rc3/8
Level	ϕ 30
Rough Product Weight	150kg
Rough Lubricating Oil Capacity	7 Liters
Mounting Tapped Holes	Machined at Face U, W and specified faces

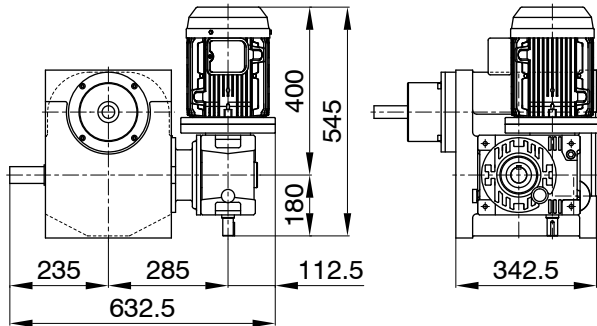
Allowable Live Load Table (N)

Lift Stroke Sh(mm)	Index Angle α (deg)	Allowable Live Load Wc (N)				Internal Load Wa (N)	Lift Stroke Sh(mm)	Index Angle α (deg)	Allowable Live Load Wc (N)				Internal Load Wa (N)
		Rotation Sppeed of Input (rpm)							Rotation Sppeed of Input (rpm)				
		30	40	50	60				30	40	50	60	
60	45	674.9	471.1	330.7	233.7	47.8	30	30	662.2	453.7	313.2	218.0	47.8
	60	813.3	619.8	472.2	360.5			45	856.9	663.5	513.7	398.1	
								60	953.0	784.7	647.1	533.3	
50	30	504.9	314.0	198.2	125.7		20	30	772.4	565.5	565.5	305.8	
	45	729.3	524.8	378.8	275.0			45	932.5	755.8	612.9	496.8	
	60	857.5	669.1	521.8	407.3			60	1004.6	853.4	728.3	621.9	
40	30	575.3	373.9	246.0	163.2								
	45	789.6	588.0	438.3	327.8								
	60	904.0	723.7	579.4	463.7								

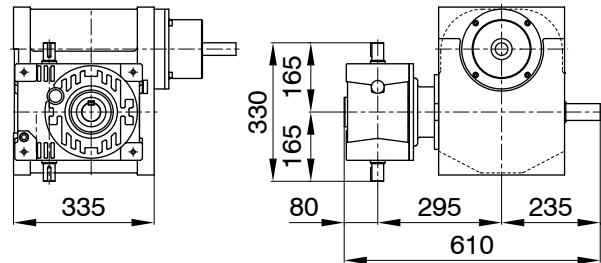
PPI/PPO-150

Mounting Examples of Optional Parts

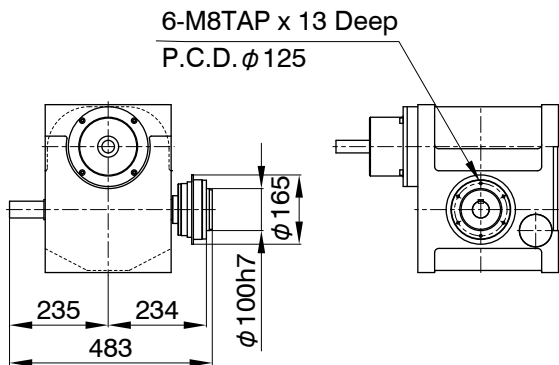
PPI/PPO-150
MRA1Y-22-80



PPI/PPO-150
RA2X-100



PPI/PPO-150
TY-324



Additional Notes

- MA series worm reducer MAO80 and 100 can be mounted.
- Mounting positions of a drive unit is standardized as 16 different pattern.
- MYTORQ torque limiter 300 series can be mounted.
- Autoflex couplings can be mounted.
- Autogard torque limiter 400 series or Autoflex couplings can be mounted on the input shafts of a worm reducer.