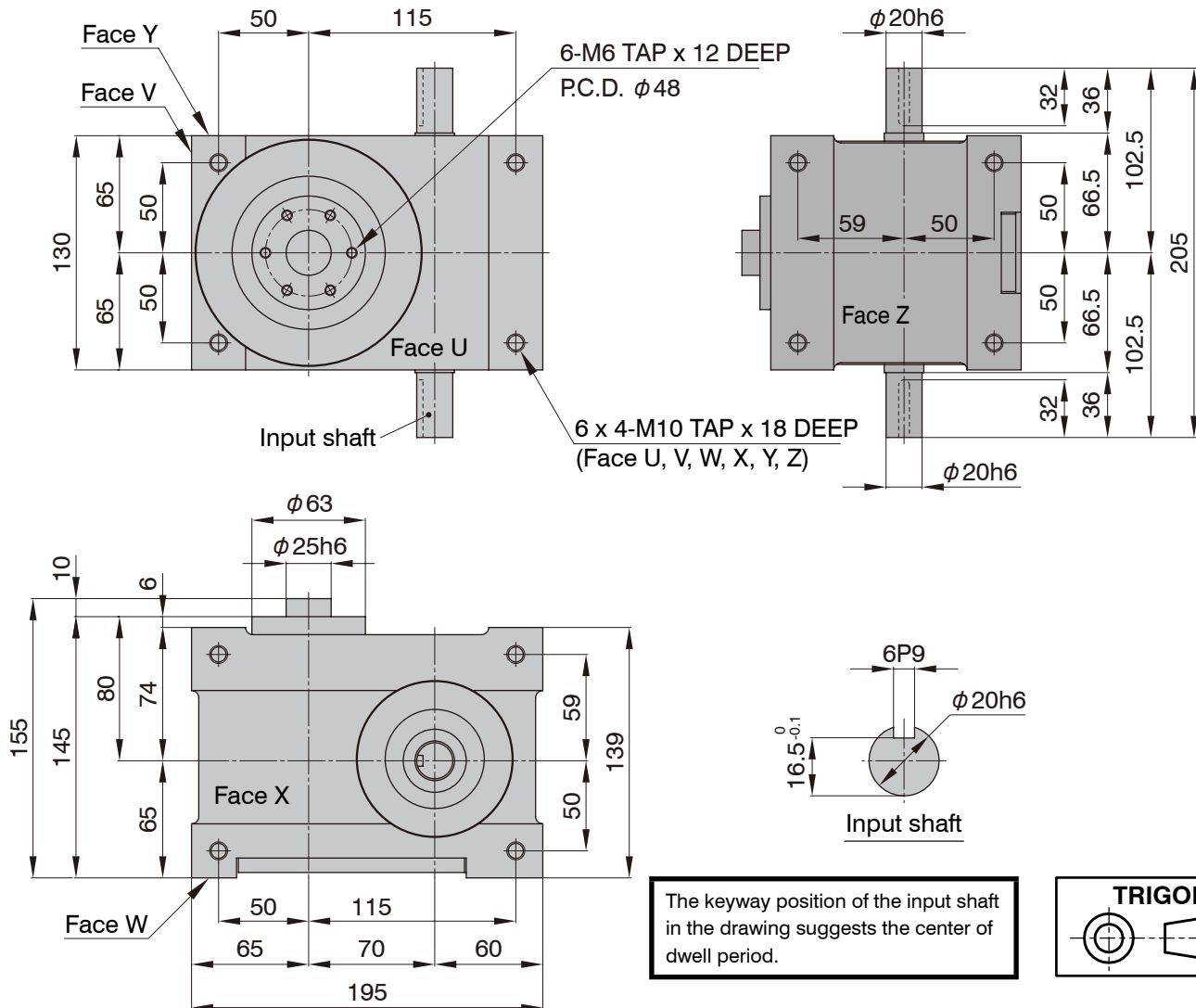


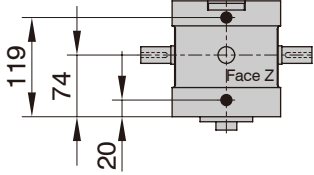
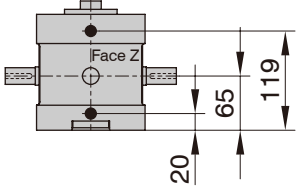
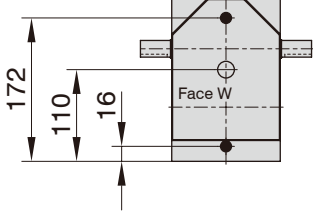
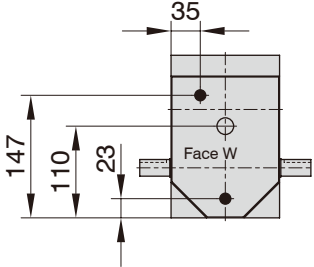
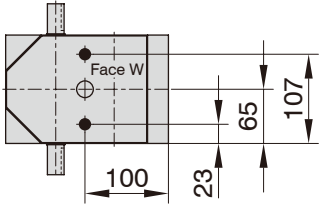
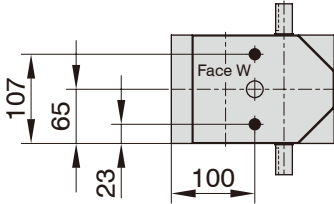
RI/RO-70F

Dimensions



RI/RO-70S

Style by Oil Plug Machining Position

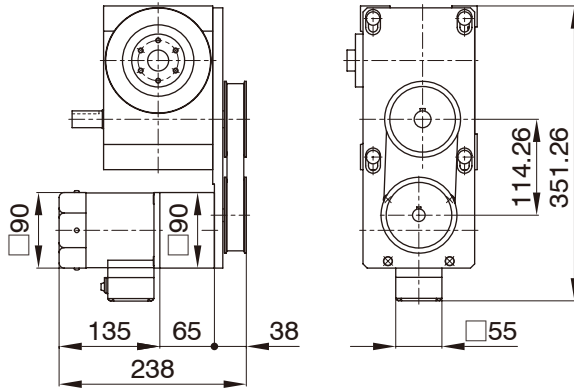
Style A	Style B	Style C
		
Style D	Style E	Style F
		

Additional Information	
Filler, Drain (black circle)	Rc1/4
Level (white circle)	Φ20
Rough Product Weight	15kg
Rough Lubricating Oil Capacity	0.8 Liters
Mounting Tapped Holes	Pre-machined at all 6 faces

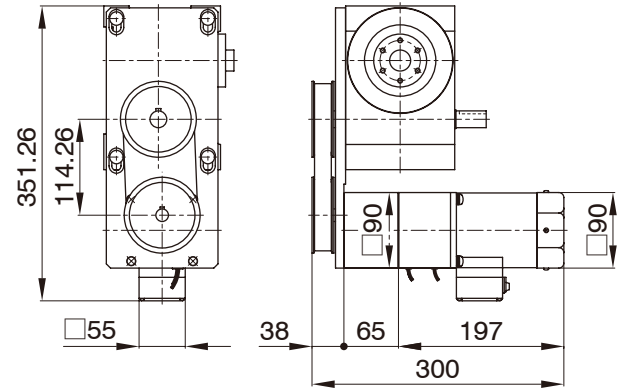
RI/RO-70F

Mounting Examples of Optional Parts

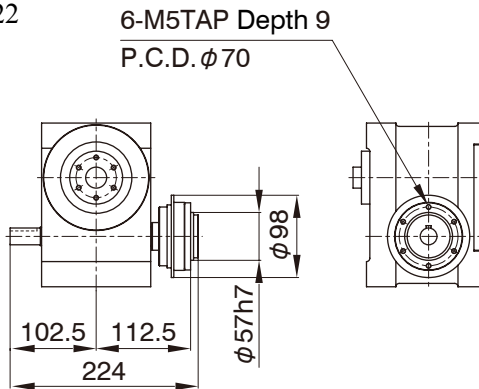
RI-70F
OM1-5IK90GU-STF/5GU □ K



RI-70F
OM3-CBI590-803T/5GC □ K



RI-70F
TY-322



Additional Notes

- Various types of an AC standard small-sized motor can be mounted.
- Mounting positions of an AC standard small-sized motor is standardized as 4 different patterns.
- MYTORQ torque limiter 300 series can be mounted.
- Autoflex couplings can be mounted.
- Autogard torque limiter 400 series or Autoflex couplings can be mounted on the input shafts of a worm reducer.