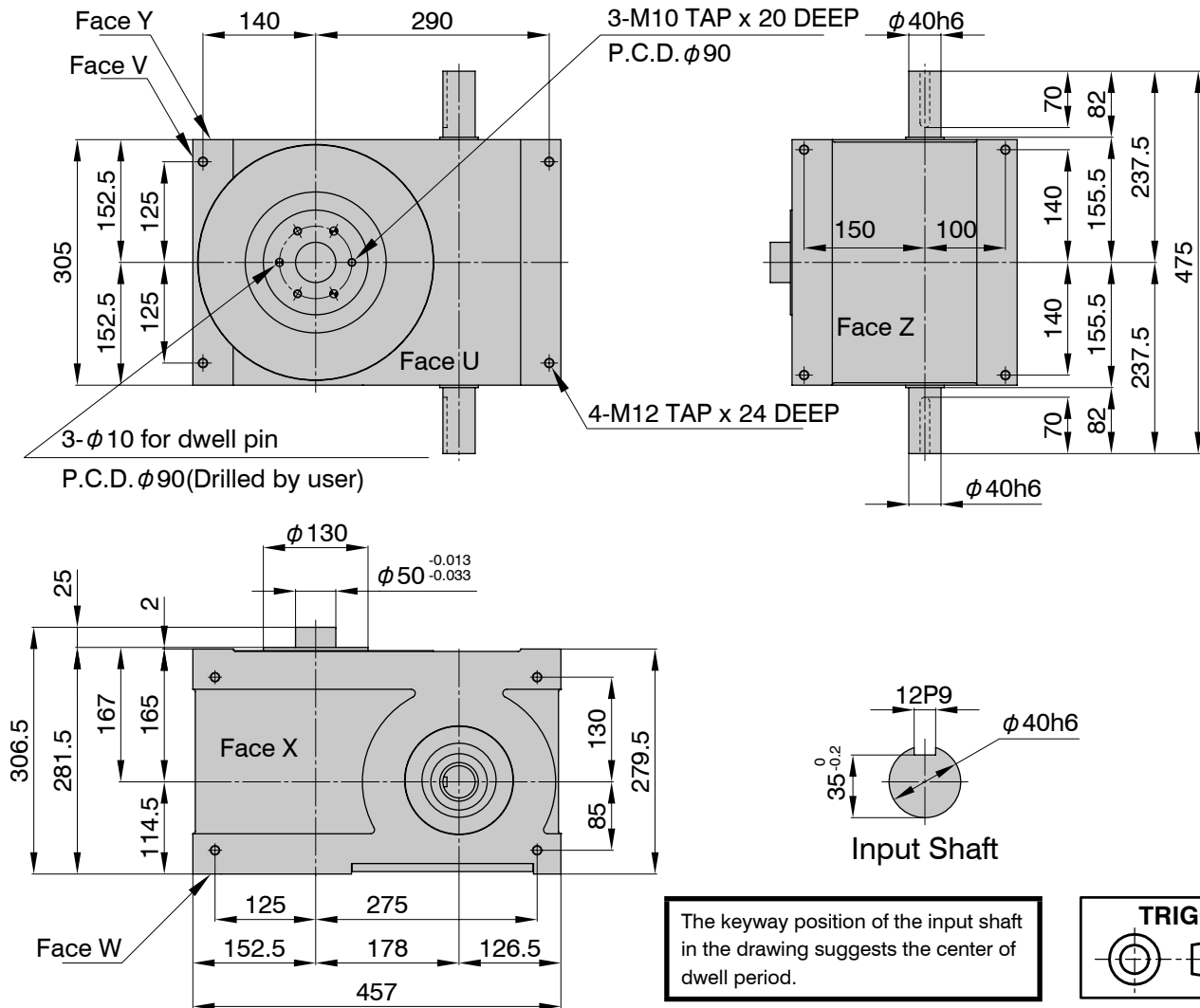
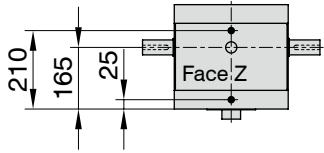
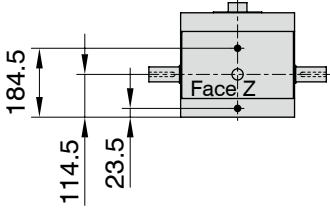
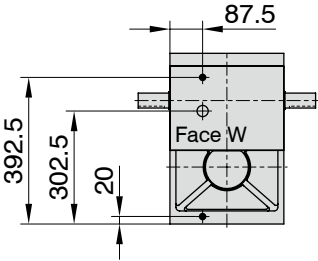
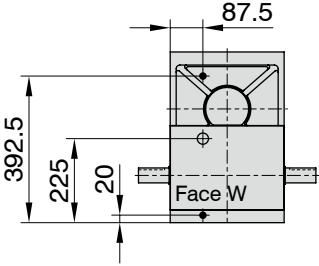
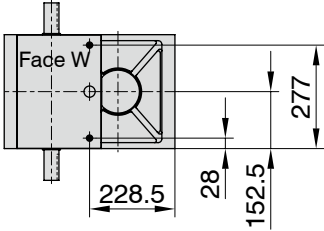
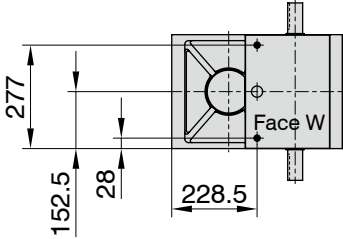


RI/RO-178F

Dimensions



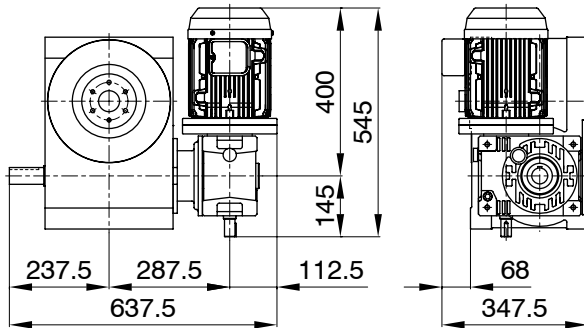
Style A	Style B	Style C
		
Style D	Style E	Style F
		

Additional Information	
Filler, Drain (black circle)	Rc3/8
Level (white circle)	Φ30
Rough Product Weight	160kg
Rough Lubricating Oil Capacity	6.6 Liters
Mounting Tapped Holes	Machining the specified faces upon request

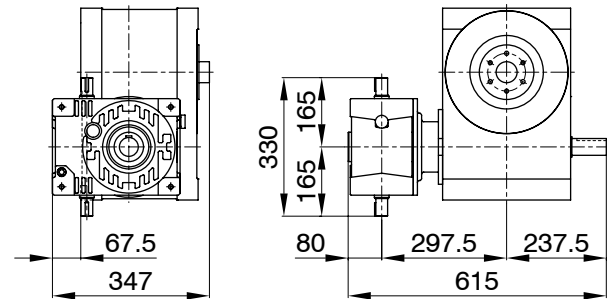
RI/RO-178F

Mounting Examples of Optional Parts

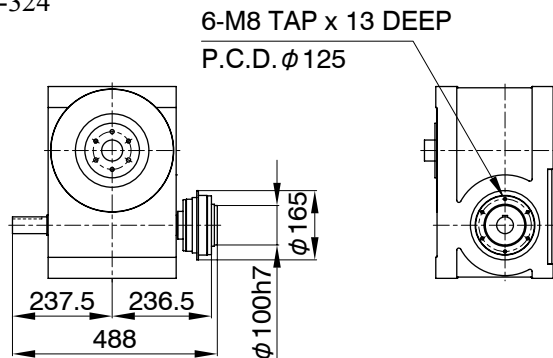
RI-178F
MRA1Y-22-80



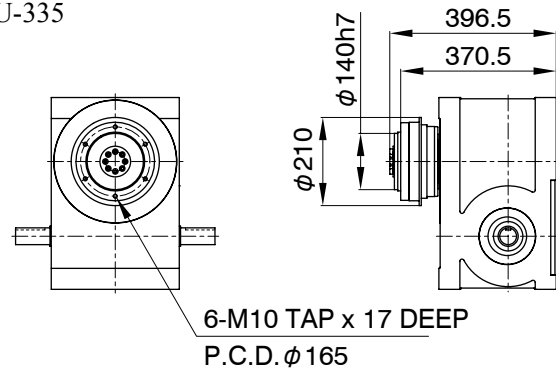
RI-178F
RA2X-100



RI-178F
TY-324



RI-178F
TU-335



Additional Notes

- MA series worm reducer MAO63, 80 and 100 can be mounted.
- Mounting positions of a drive unit is standardized as 16 different pattern.
- MYTORQ torque limiter 300 series can be mounted.
- Autoflex couplings can be mounted.
- Autogard torquelimiter 400 series or Autoflex couplings can be mounted on the input shafts of a worm reducer.