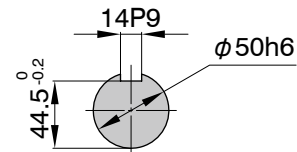
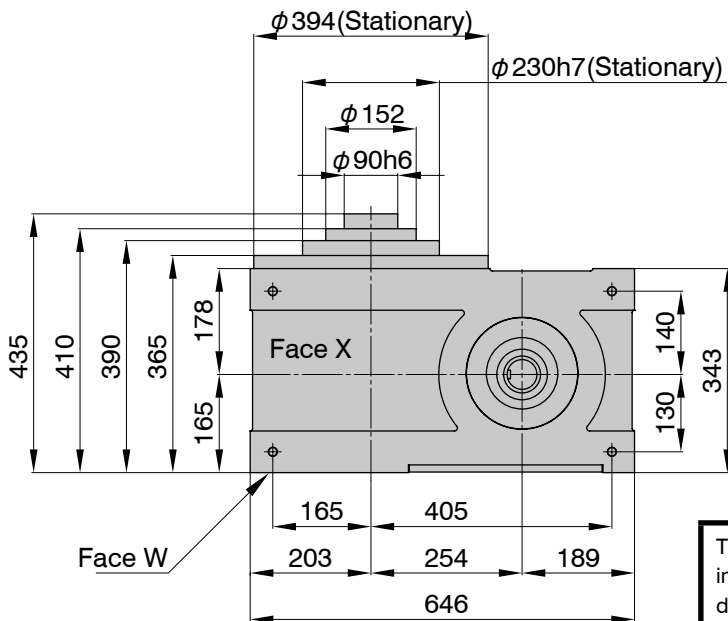
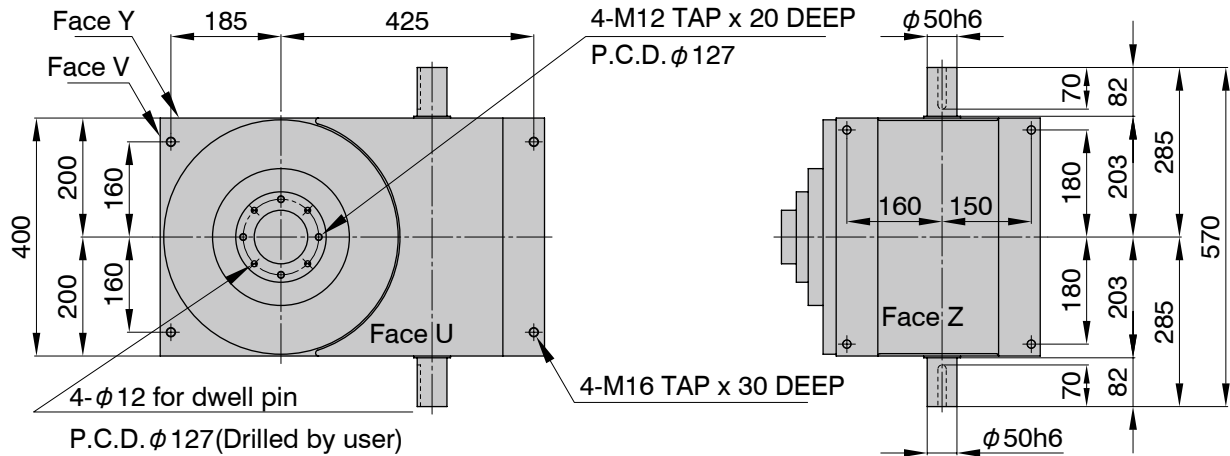


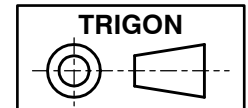
RI/RO-254F

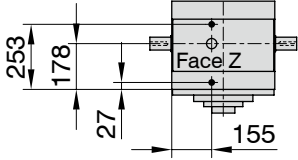
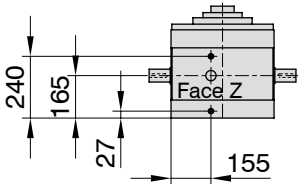
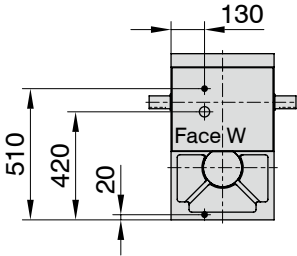
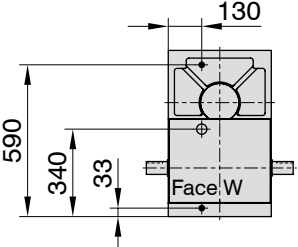
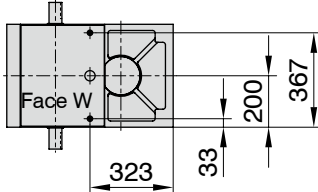
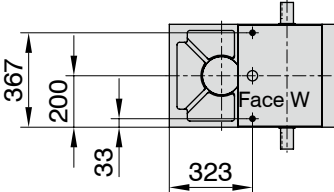
Dimensions



Input Shaft

The keyway position of the input shaft in the drawing suggests the center of dwell period.



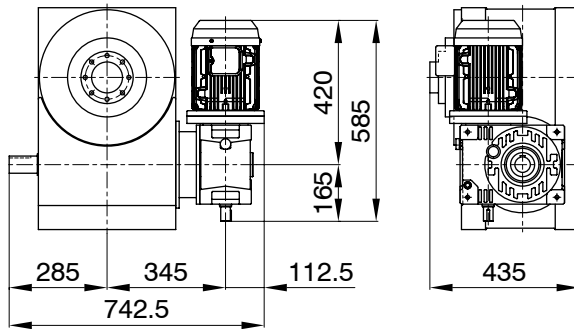
Style A	Style B	Style C
		
Style D	Style E	Style F
		

Additional Information	
Filler, Drain (black circle)	Rc1/2
Level (white circle)	Φ40
Rough Product Weight	360kg
Rough Lubricating Oil Capacity	17.5 Liters
Mounting Tapped Holes	Machining the specified faces upon request

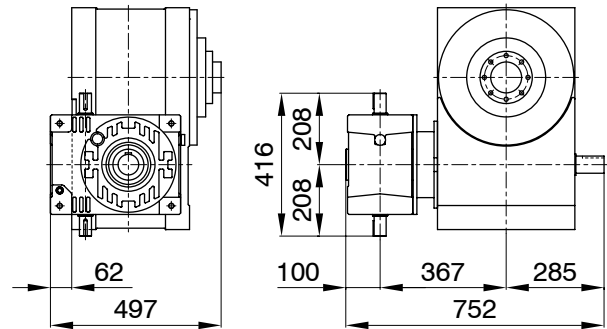
RI/RO-254F

Mounting Examples of Optional Parts

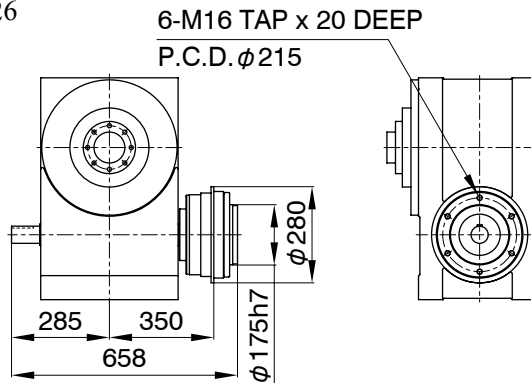
RI-254F
MRA1Y-22-100



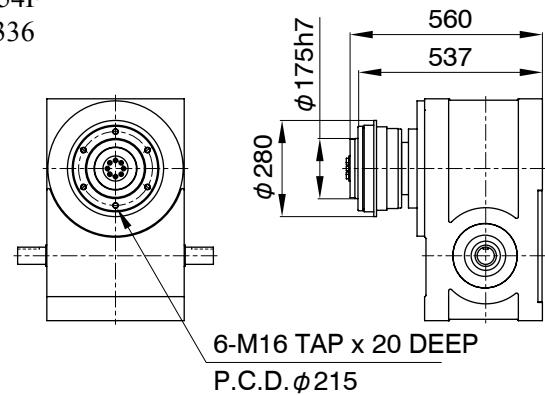
RI-254F
RA2X-125



RI-254F
TY-326



RI-254F
TU-336



Additional Notes

- MA series worm reducer MAO100 and 125 can be mounted.
- Mounting positions of a drive unit is standardized as 16 different pattern.
- MYTORQ torque limiter 300 series can be mounted.
- Autoflex couplings can be mounted.
- Autogard torquelimiter 400 series or Autoflex couplings can be mounted on the input shafts of a worm reducer.