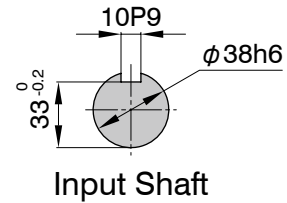
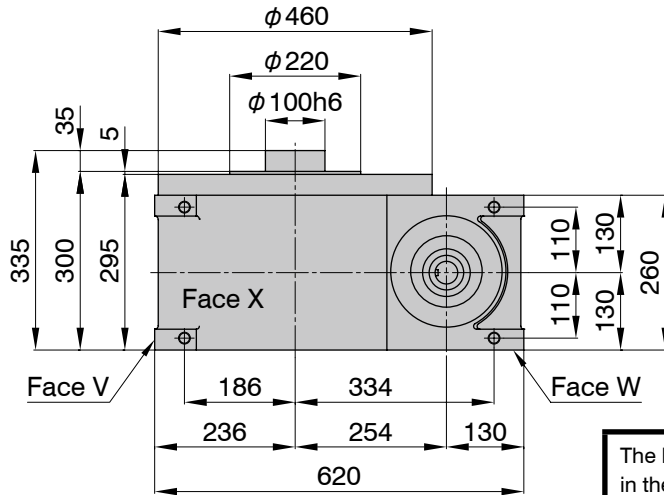
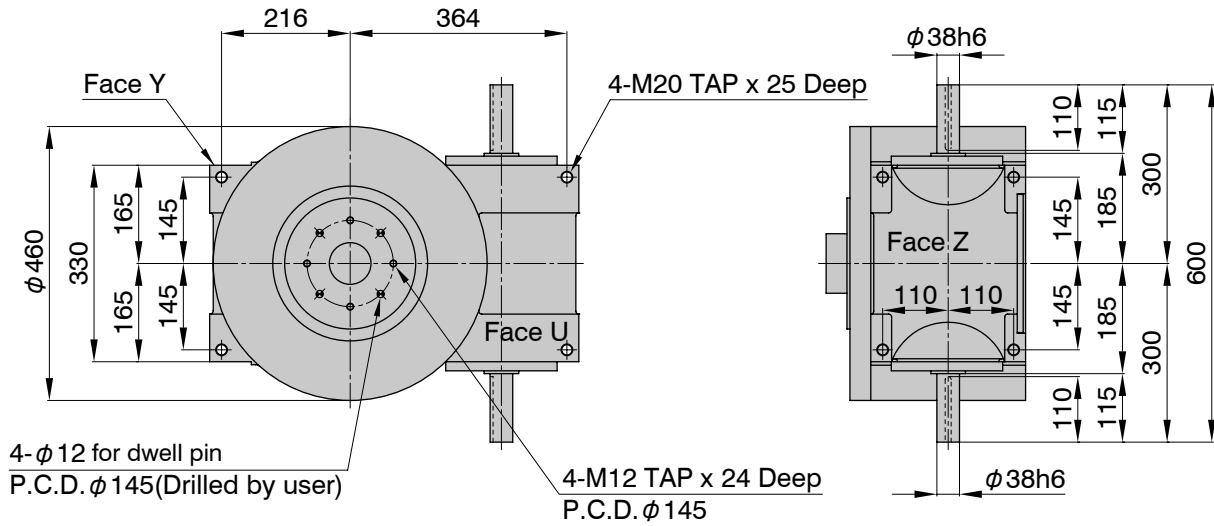
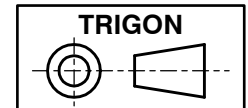


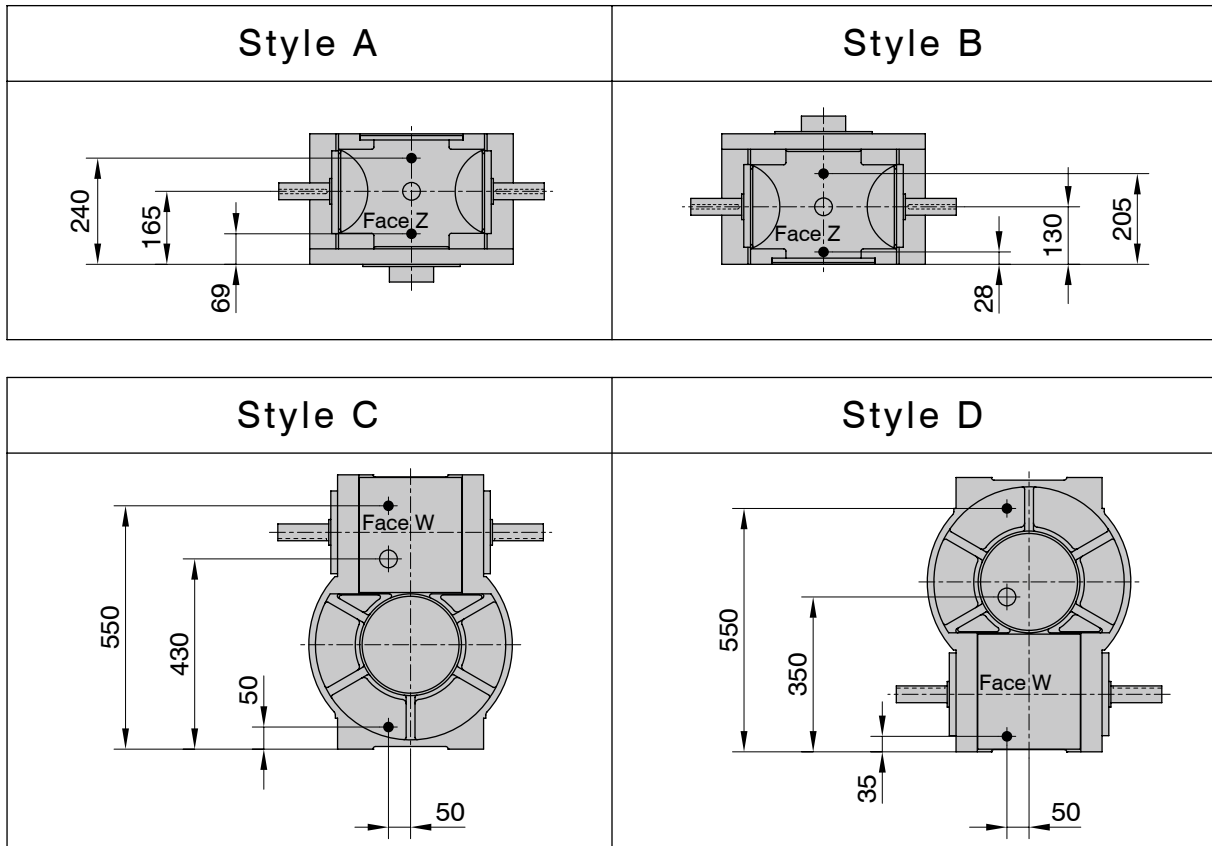
# TLX-254S

# Dimensions



The keyway position of the input shaft in the drawing suggests the center of dwell period.



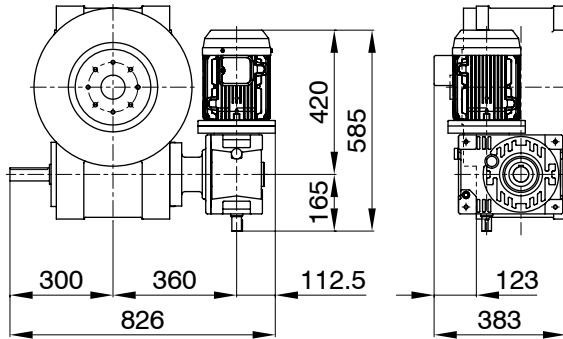


Additional Information	
Filler, Drain (black circle)	Rc1/2
Level (white circle)	Φ40
Rough Product Weight	260kg
Rough Lubricating Oil Capacity	12.0 Liters
Mounting Tapped Holes	Machining the specified faces upon request

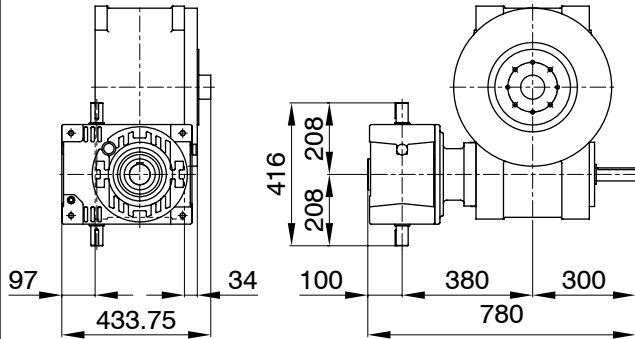
# TLX-254S

## Mounting Examples of Optional Parts

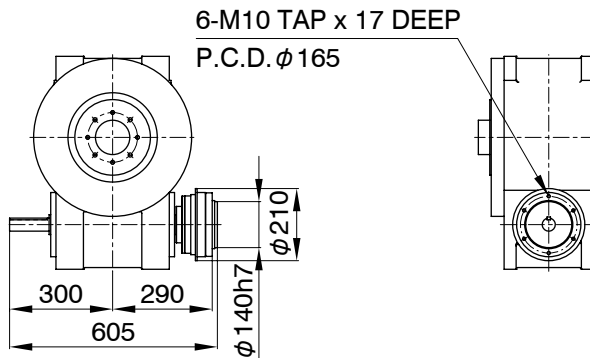
TLX-254S  
MRA1Y-22-100



TLX-254S  
RA2X-125



TLX-254S  
TY-325



### Additional Notes

- MA series worm reducer MAO80, 100 and 125 can be mounted.
- Mounting positions of a drive unit is standardized as 16 different pattern.
- MYTORQ torque limiter 300 series can be mounted. Please contact us if a MYTORQ torque limiter is required to mount on the output shaft.
- Autoflex couplings can be mounted.
- Autogard torquelimiter 400 series or Autoflex couplings can be mounted on the input shafts of a worm reducer.
- The hollow shaft can be specified as a special. (Max. hollow dia.  $\phi$  90)